



# SUPER M-AX

S E R I E S



**INCREASE REVENUE + PRODUCTIVITY**

With The World's Largest Hydraulic Rotary Brush Cutter



# SUPERIOR DURABILITY with precision welding.

At Brush Wolf, we're masters of our craft, focusing solely on perfection. Our indestructible hydraulic rotary brush cutters are built tough to conquer rough terrain and thrive in the harshest environments. With a legacy that spans over two decades, we've been the pioneers of the rotary brush-cutting industry, setting the standard for innovation. Get ready to clear five acres of land in only an hour with Brush Wolf's monstrous Super M-AX cutters.



**5** YEAR  
LIMITED  
WARRANTY

Brush Wolf cutters are built for life, which is why we stand behind each and every one of them with our unmatched 5-year limited warranty.

**MADE IN  
USA**

Everything we make, design, fabricate, assemble, powder coat, and test is proudly done under one roof in Crosslake, Minnesota.



# WHEN SIZE MATTERS GO BIG

## BIGGER IS BETTER.

### **CLEAR LAND FASTER**

The Super M-AX leads the pack with its exceptionally wide cutting width—twice that of a standard mulcher. Its extensive coverage makes it the quickest and most productive land-clearing tool available.

### **CUT MORE EFFICIENTLY**

The Super M-AX doesn't simply drive over and push down vegetation like pull-behind mowers—it cuts everything in its path, saving you time and effort.

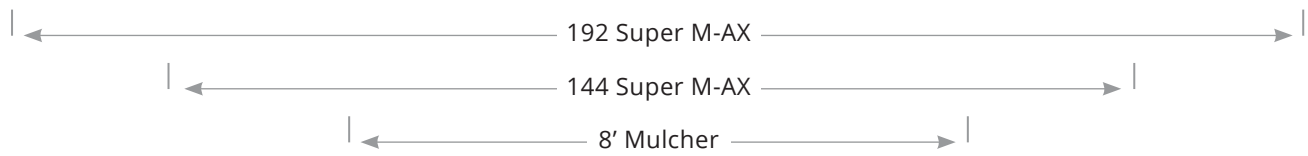
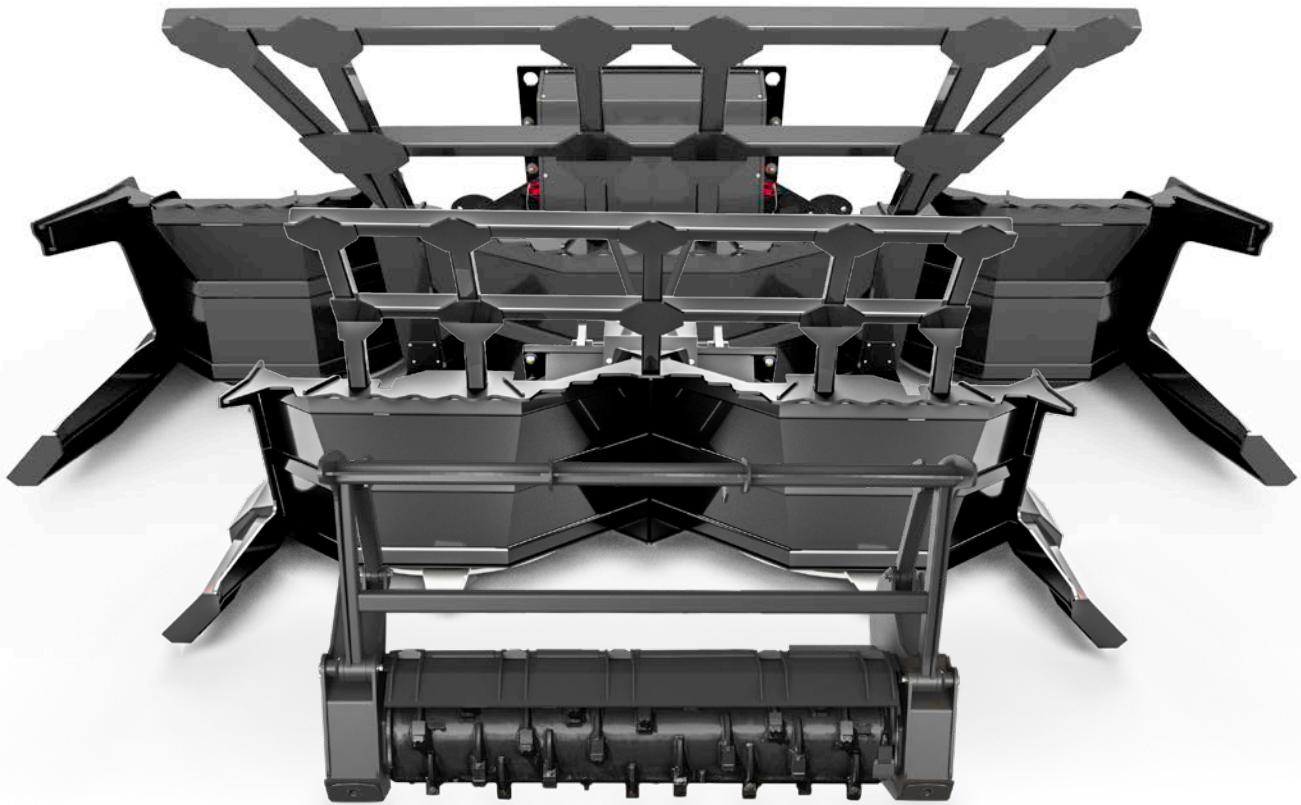
### **GO LONGER IN BETWEEN CUTS**

The Super M-AX has a larger cutting capacity (8" in diameter) than other mowers, so you can go longer (years longer) between cuttings.

### **SAVE ON MAINTENANCE COSTS**

The Super M-AX is built for longevity, ensuring ongoing savings with maintenance costs and replacement parts that are more affordable than those of mulchers.

***THE LARGEST LAND-CLEARING ATTACHMENT ON THE MARKET!***



## HOW MUCH LAND CAN YOU CLEAR IN AN HOUR?

Mulcher (8')



**2.62 acres**

144 Super M-AX (12')



**3.93 acres**

192 Super M-AX (16')



**5.24 acres**

Acres of land cleared in an hour @ 3 MPH with the same vegetation density. Source: Calculator Academy <https://calculator.academy/acres-per-hour-mowing-calculator>

# BUILT WITH **PURE POWER**



The Super M-AX is specifically designed for site prep tractors, industrial wheeled tractors, wheeled feller bunchers, and land-clearing mulcher machines.



JOHN DEERE

Tigercat

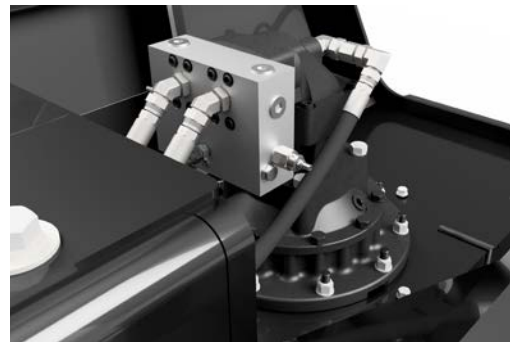




**DIRECT-DRIVE HYDRAULIC MOTORS**  
 Our Parker® bent axis piston hydraulic motors increase torque, providing more cutting power, quicker recovery time, and less bogging down while accelerating through thick brush. Plus, our built-in pressure relief valves protect the motors from pressure spikes and enable faster shutdowns.



**MASSIVE BEARING HOUSINGS**  
 We pair our direct-drive hydraulic motors with robust Eskridge® bearing housings that boast a 3.75" shaft diameter and patented shaft retention system.



**ULTRA-RUGGED DECK FRAME**  
 Our deck frames are crafted from a single piece of thick, heavy-duty steel—never pieced together—and seam-welded for an indestructible, rust-proof support structure. We also went above and beyond to make sure our cutters are crazy strong by adding boxed-in gusset reinforcements, extra bracing, and supports.



**EXCLUSIVE BLADE CARRIER SYSTEM**  
 Brush Wolf's multiple blade carriers feature two 5/8" steel discs that provide tremendous power and torque, allowing them to slice through trees up to 8" in diameter. All Brush Wolf blade carriers are CNC balanced for ultra-smooth operation.



**REVERSIBLE BLADES**  
 Our industrial-duty Hardox® 500 flat blades are 3x the strength of mild steel and reversible so they last twice as long.



# 144 SUPER M-AX

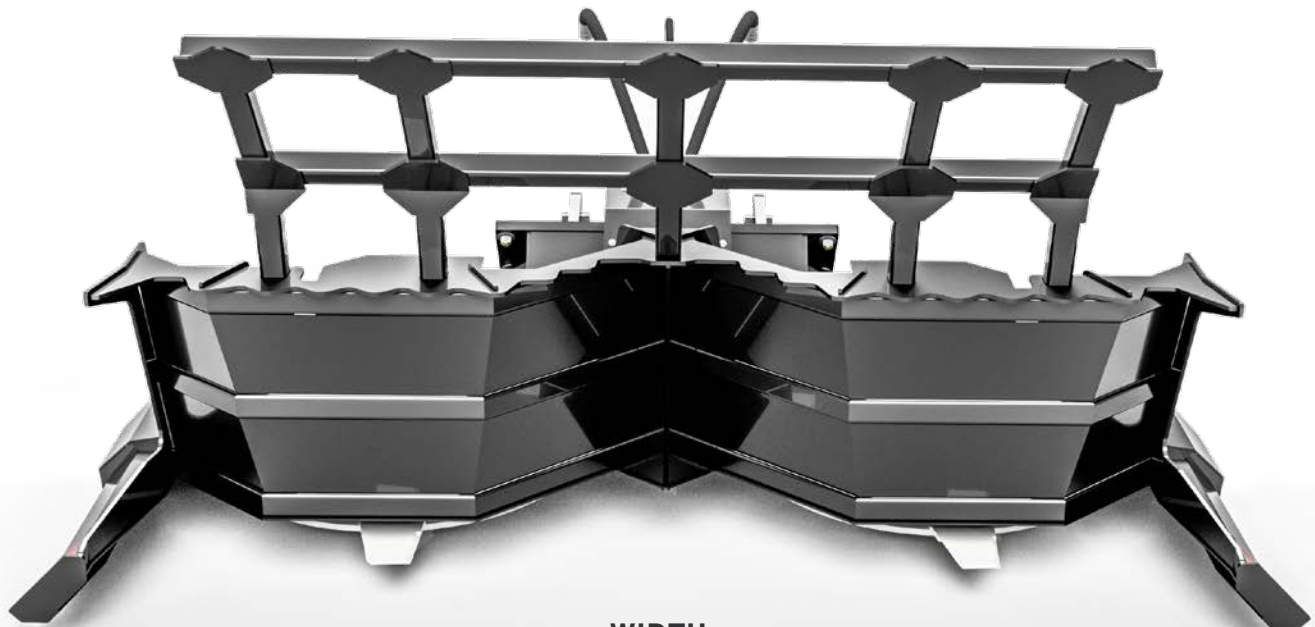
SPEED UP THE **LAND-CLEARING PROCESS**  
AND MAXIMIZE YOUR EFFICIENCY

Not one, but two piston motors drive this beast with twelve feet of raw cutting power. The force and power of the 144 Super M-AX are precisely engineered to wipe out land fast so you can reduce your time in the field and operating costs.



## CNC BALANCED

The dual blade carriers provide tremendous power and torque with eight reversible, non-updraft blades that are 3x the strength of mild steel.



**WIDTH**

12 feet of massive cutting power.





***“MY SUPER M-AX  
PAID FOR ITSELF  
WITH THE AMOUNT  
OF TIME I SAVED  
OUT IN THE FIELD.  
I WISH I PURCHASED  
IT EARLIER.”***

— Arthur Garza  
Super M-AX owner

Customized pick-up plate.

## TECHNICAL SPECIFICATIONS

<b>Width</b>	144 in
<b>Length</b>	125 in
<b>Weight</b>	7,238 lbs
<b>Hydraulic Flow</b>	42-58 GPM
<b>Cutting Diameter</b>	8 in
<b>Blade Carrier</b>	(2) two-piece 5/8" steel discs
<b>Reversible Blades</b>	(8) 18 x 8.5 x 0.625 in

<b>Motor Style</b>	Bent axis piston hydraulic motor
<b>Drive Type</b>	Direct drive
<b>Bearing Housing</b>	3.75 in
<b>Motor Protection</b>	Pressure relief valves, case drain
<b>Cylinder Size</b>	3.5 bore, 2 rod, 16 stroke
<b>Max PSI</b>	5,000 cont./int.
<b>Deck Thickness</b>	0.313 in
<b>Chain Curtain</b>	Rear

# 192

## SUPER M-AX

### PATENTED PHOTO SENSOR EYE

Added shut-off sensor  
detects when wings  
are raised over 15  
degrees.

### PREMIUM MOTORS

Three direct-drive piston  
motors operate three massive  
blade carriers, each working  
independently to accommodate  
different cutting styles.

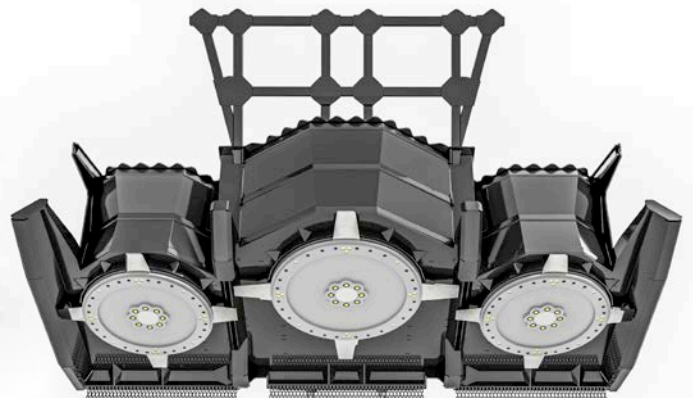
**SAVE TIME**

World's largest cutter at 16 feet.

SCAN TO SEE  
THE 192 IN  
ACTION!



Customized pick-up plate.



Width: 192 in



**PATENTED  
FLEX-WINGS**

Two hydraulic retractable wings fold up for easy transport and maneuverability through rugged, uneven terrain.

***“IF YOU’RE ON THE FENCE BETWEEN THIS AND A MULCHER, I CAN VOUCH THAT THIS BAD BOY PULLS DOUBLE DUTY. TAKES DOWN TREES, BRUSH AND ANYTHING ELSE YOU PUT IN FRONT OF IT...IT ACTS LIKE A SWISS ARMY KNIFE OF LAND CLEARING.”***

— GEM1N1 via YouTube

INCREASE YOUR ROI BY  
**CLEARING LAND FASTER**

The first patented flex-wing brush cutter designed for industrial, commercial, or forestry use. The Super M-AX 192 features two hydraulic retractable wings that lift for easy transport and flexibility to maneuver through your landscape. Three direct-drive piston motors operate three massive blade carriers, each working independently to accommodate different cutting styles. Twelve reversible, non-updraft blades are 3x the strength of mild steel to slice through trees up to eight inches in diameter.

**TECHNICAL SPECIFICATIONS**

<b>Width</b>	192 in
<b>Length</b>	127.056 in
<b>Weight</b>	11,400 lbs
<b>Hydraulic Flow</b>	63-87 GPM
<b>Cutting Diameter</b>	8 in
<b>Blade Carrier</b>	(3) two-piece 5/8" steel discs
<b>Reversible Blades</b>	(4) 18 x 8.5 x 0.625 in (8) 14.25 x 8.5 x 0.625 in

<b>Motor Style</b>	Bent axis piston hydraulic motor
<b>Drive Type</b>	Direct drive
<b>Bearing Housing</b>	3.75 in
<b>Motor Protection</b>	Pressure relief valves, case drain
<b>Cylinder Size</b>	3.5 bore, 2 rod, 16 stroke
<b>Max PSI</b>	5,000 cont./int.
<b>Deck Thickness</b>	0.313 in
<b>Chain Curtain</b>	Rear

# SUPER M-AX

---

THE MOST  
EFFICIENT WAY TO  
CLEAR LAND.



THE LEADER OF THE PACK—ANY WAY YOU CUT IT.  
877-390-9857 | [sales@brushwolf.com](mailto:sales@brushwolf.com) | [brushwolf.com](http://brushwolf.com)